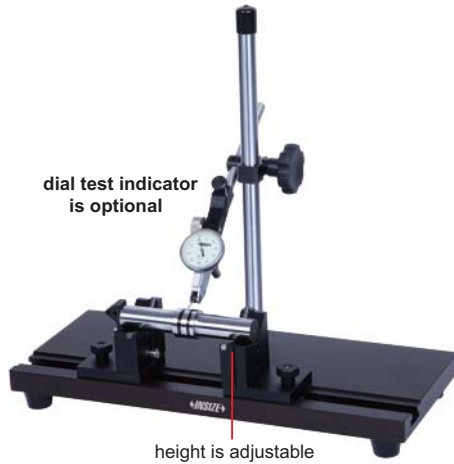


BENCH CENTERS



dial test indicator is optional

height is adjustable (range: 0-15mm)

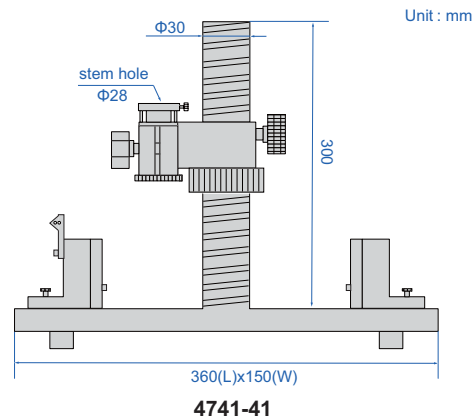
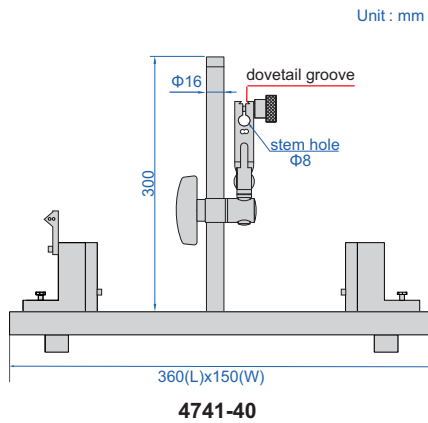
4741-40



high precision digital indicator is optional

height is adjustable (range: 0-15mm)

4741-41



- Quick positioning, suitable for mass measurement
- **4741-40** Optional accessory: dial test indicators(Code **2880-02**, **2880-02R**)
- **4741-41** Optional accessory: high precision digital indicators(Code **2140-6**, **2140-6WL**)

Code	Stem hole	Diameter range	Workpiece length	Accuracy
4741-40	$\Phi 8$ mm	$\Phi 3$ -40mm	15-300mm	2 μ m
4741-41	$\Phi 28$ mm	$\Phi 3$ -40mm	15-300mm	2 μ m